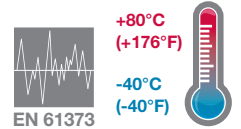


- > Port size: 1/4" ... 1/2" (ISO G/PTF)
- > Excelon design allows in-line or modular installation
- > Push to lock adjusting knob with tamper resistant accessory
- > Wide temperature range
- > Shock and vibration tested to EN 61373, Category 1, class A and B



Technical features

Medium:
Compressed air only
Maximum operating pressure:
20 bar (290 psi)
Pressure range:
0,3 ... 10 bar (4 ... 145 psi)
Other pressure ranges are available contact Norgren

Port size:
G1/4, G3/8, G1/2,
1/4 PTF, 3/8 PTF 1/2 PTF
Gauge port:
Rc 1/8 with ISO G main ports
1/4 PTF with PTF main ports

Ambient/Media temperature:
-40 ... +80°C (-40 ... +176°F)
Air supply must be dry enough to avoid ice formation at temperatures below +2°C (+35°F).

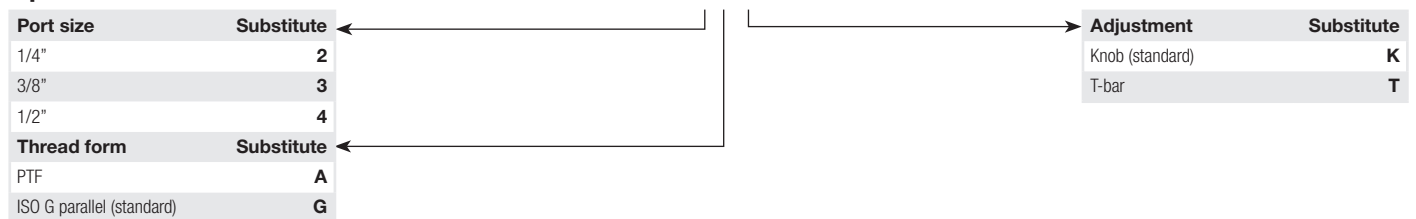
Materials:
Body: die cast aluminium
Bonnet: Zinc
Valve: brass
Bottom plug: Acetal
Elastomers: NBR

Technical data LR73G - standard models with relieving

Symbol	Port size	Size	Flow* dm³/s	scfm	Adjustment	Weight (kg)	(lbs)	Model
	G1/4	—	50	106	Knob	0,48	1.05	LR73G-2GK-RMN
	1/4 PTF	—	50	106	Knob	0,48	1.05	LR73G-2AK-RMN
	G3/8	Basic	60	127	Knob	0,48	1.05	LR73G-3GK-RMN
	3/8 PTF	Basic	60	127	Knob	0,48	1.05	LR73G-3AK-RMN
	G1/2	—	60	127	Knob	0,48	1.05	LR73G-4GK-RMN
	1/2 PTF	—	60	127	Knob	0,48	1.05	LR73G-4AK-RMN

* Typical flow at 10 bar (145 psi) inlet pressure, 6,3 bar (90 psi) set pressure and 0,5 bar (7 psi) droop from set.

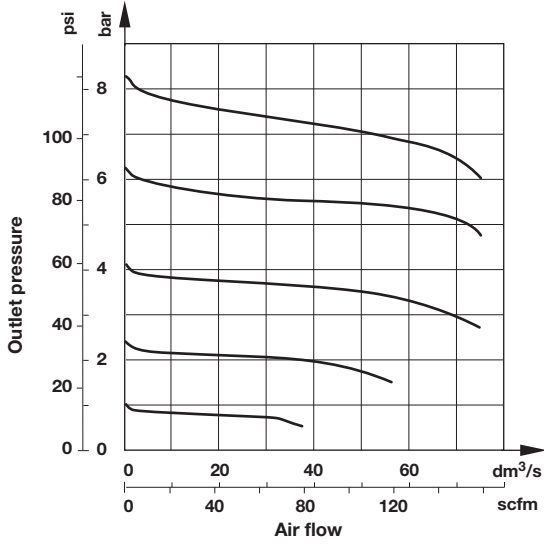
Option selector



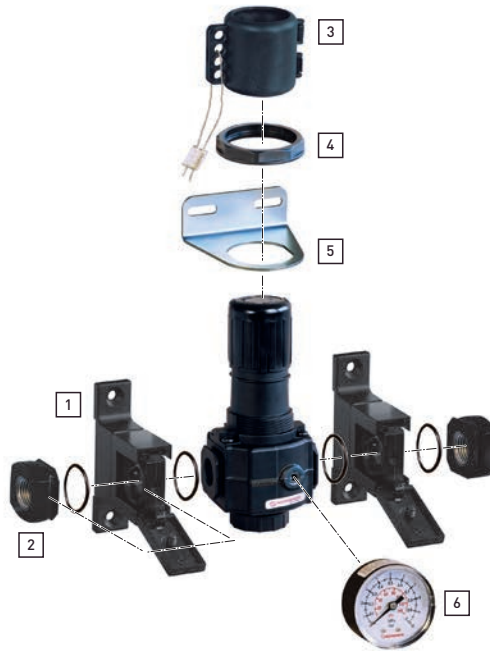
Flow characteristics

Inlet pressure: 10 bar (145 psi)

Port size: 3/8"



Accessories



Accessories

Neck mounting bracket



5

Page 4

4461-50

Panel nut



4

5191-88

Quikclamp®



Page 4

4314-62

Quikclamp with wall bracket®



1

Page 4

4314-63

Tamper resistant kit



3

4455-51

Quikmount pipe adaptor



2

Page 4

G1/4: 4315-09

G3/8: 4315-10

G1/2: 4315-11

1/4 PTF: 4315-01

3/8 PTF: 4315-02

1/2 PTF: 4315-03

Service kits

Service kit



4383-607

Gauge

Center back connection, white face (for full technical specification see datasheet 8.900.900)



6

Pressure range
bar *1 Mpa psi Ø

0 ... 10 0 ... 1 0 ... 145 50 mm R1/8 18-015-013

*1) primary scale

Center back connection, black face for North America (for full technical specification see datasheet 8.900.900)



6

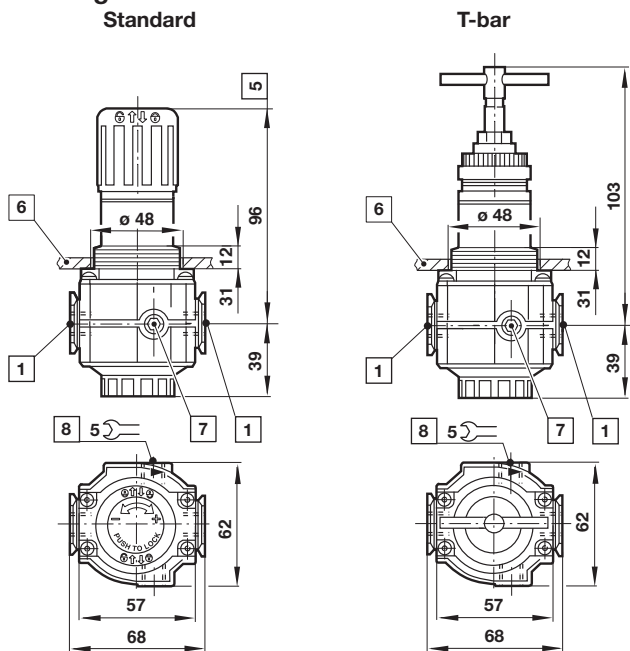
Pressure range
psig *1 bar Mpa Ø

0 ... 160 0 ... 11 0 ... 1.1 2" (50 mm) 1/4 NPT 18-015-209

*1) primary scale

Drawings

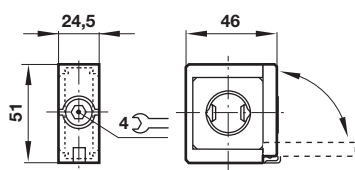
Dimensions in mm
Projection/First angle



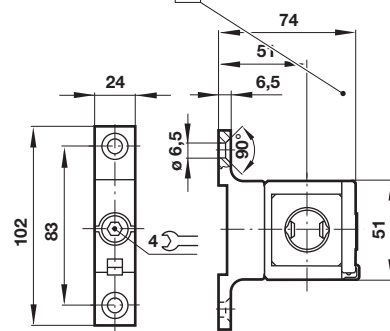
- 1 Main ports 3/8", 1/2" or 3/4"
- 5 Reduces by 4 mm with knob in locked position
- 6 Panel thickness 2 ... 6 mm
- 7 Gauge port Rc1/8 for ISO G and 1/4 PTF for PTF main ports
- 8 Alternative gauge port plugged

Accessories

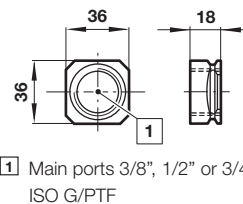
Quikclamp®



Quikclamp® with wall bracket

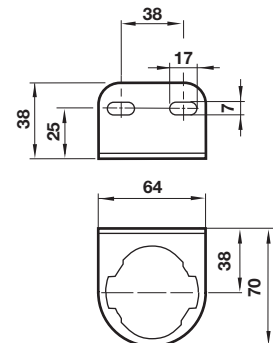


Pipe adapter



- 1 Main ports 3/8", 1/2" or 3/4" ISO G/PTF

Neck mounting bracket



Warning

These products are intended for use in industrial compressed air and rail transport systems only. Do not use these products where pressures and temperatures can exceed those listed under

»Technical features/data«.

Before using these products with fluids other than those specified, for non-industrial applications, life-support systems or other applications not within published specifications, consult IMI NORGREN.

Through misuse, age, or malfunction, components used in fluid power systems can fail in various modes.

The system designer is warned to consider the failure modes of all component parts used in fluid power systems and to provide adequate safeguards to prevent personal injury or damage to equipment in the event of such failure.

System designers must provide a warning to end users in the system instructional manual if protection against a failure mode cannot be adequately provided.

System designers and end users are cautioned to review specific warnings found in instruction sheets packed and shipped with these products.