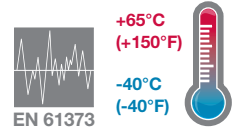


- > Port size: 1/4" or 3/8" (ISO G/PTF)
- > Excelon design allows in-line or modular installation
- > Balanced valve design for optimum pressure control
- > Push to lock adjusting knob with tamper resistant accessory
- > Wide temperature range
- > Shock and vibration tested to EN 61373, Category 1, class A and B



Technical features

Medium:

Compressed air only

Maximum operating pressure:

20 bar (290 psi)

Pressure range:

0,3 ... 10 bar (4 ... 145 psi)

Port size:

G1/4, G3/8, 1/4 or 3/8 NPT

Gauge port:

Rc 1/8 with ISO G main ports
1/8 PTF with PTF main ports

Flow:

See table below

Ambient/Media temperature:

-40 ... +65°C (-40 ... +150°F)

Air supply must be dry enough to avoid ice formation at temperatures below +2°C (+35°F).

Materials:

Body: zinc
Bottom plug: acetal
Valve: brass
Elastomers: NBR

Technical data - standard models with relieving

Symbol	Port size	Size	Flow* dm³/s	scfm	Pressure range (bar)	Adjustment	Weight (kg)	(lbs)	Model
	G1/4	Basic	33	70	0,3 ... 10	Knob	0,36	0,79	LR72G-2GK-RMN
	1/4 PTF	Basic	33	70	0,3 ... 10	Knob	0,36	0,79	LR72G-2AK-RMN
	G3/8	—	33	70	0,3 ... 10	Knob	0,36	0,79	LR72G-3GK-RMN
	3/8 PTF	—	33	70	0,3 ... 10	Knob	0,36	0,79	LR72G-3AK-RMN

* Typical flow at 10 bar (145 psi) inlet pressure, 6,3 bar (90 psi) set pressure and 0,5 bar (7 psi) droop from set.

Option selector

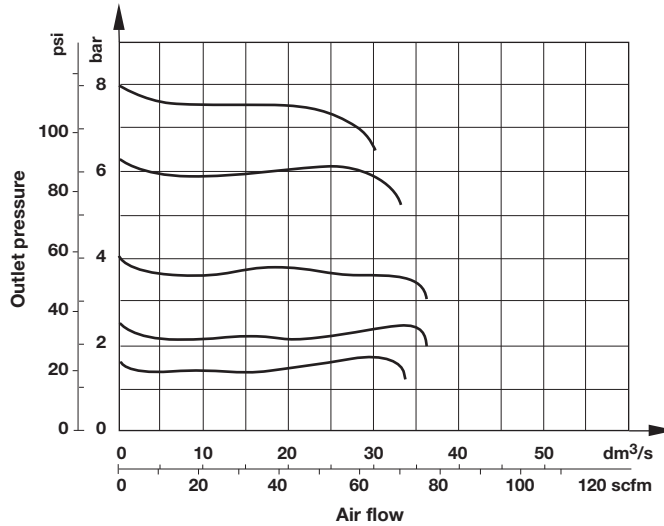
LR72G-★★★-RMN

Port size	Substitute
1/4"	2
3/8"	3
Thread form	Substitute
PTF	A
ISO G parallel	G

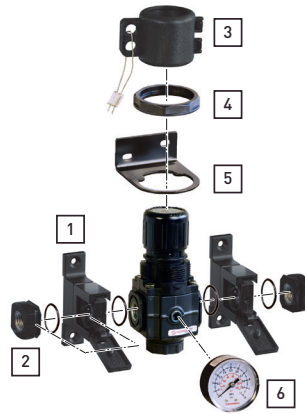
Adjustment	Substitute
Knob (standard)	K
T-bar	T

Flow characteristics

Inlet pressure: 10 bar (145 psi)
Port size: 1/4"



Accessories



Quikclamp®	Quikclamp with wall bracket® *1)	Neck mounting bracket	Panel nut (Aluminium)	Tamper resistant kit	Quikmount pipe adaptor *1)
1	1	5	4	3	
Page 3	Page 3	Page 3			Page 3
4214-58	4214-57	74316-51	4248-01	4255-51	G1/4: 4215-08 G3/8: 4215-09 1/4 PTF: 4215-02 3/8 PTF: 4215-03

*1) Please use a Quikmount pipe adaptor if the Quikclamp be mounted at inlet or outlet side.

Service kit



Gauge

Center back connection, white face (for full technical specification see datasheet 8.900.900)



6

Pressure range bar *1	Mpa	psi	Ø	Thread size	Model
0 ... 10	0 ... 1	0 ... 145	40 mm	R1/8	18-015-989

*1) primary scale

Center back connection, black face for North America (for full technical specification see datasheet 8.900.900)



6

Pressure range psig *1	bar	Mpa	Ø	Thread size	Model
0 ... 160	0 ... 11	0 ... 1.1	1.5" (40 mm)	1/8 NPT	18-015-212

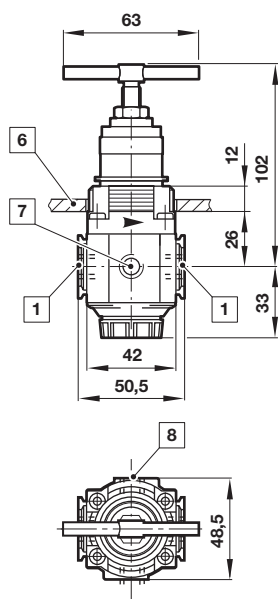
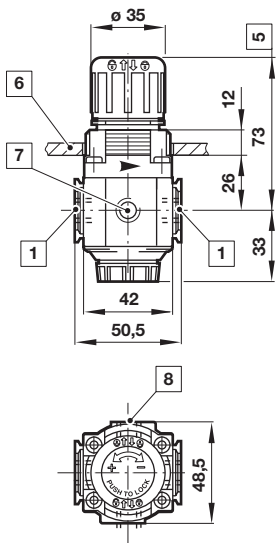
*1) primary scale

Drawings

Standard

T-bar

Dimensions in mm
Projection/First angle



- 1 Main ports 1/4" or 3/8"
- 5 Reduces by 4 mm with knob in locked position
- 6 Panel thickness 0 ... 4 mm
- 7 Gauge port Rc1/8 plugged
- 8 Alternative gauge port Rc1/8 plugged

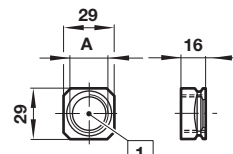
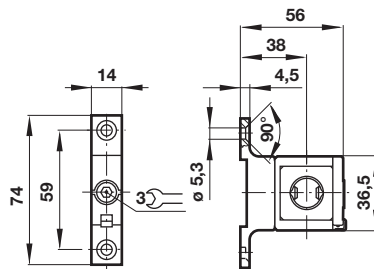
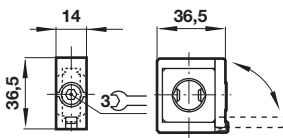
Accessories

Quikclamp®

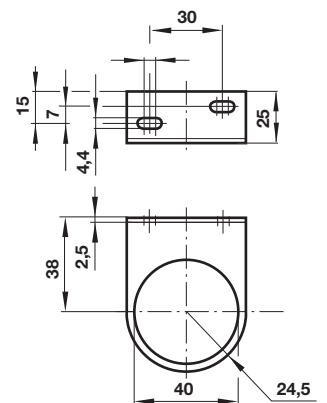
Quikclamp® with wall bracket

Pipe adapter

Neck mounting bracket



- 1 Main ports 1/4" or 3/8" ISO G/PTF



Warning

These products are intended for use in industrial compressed air and rail transport systems only. Do not use these products where pressures and temperatures can exceed those listed under

»Technical features/data«.

Before using these products with fluids other than those specified, for non-industrial applications, life-support systems or other applications not within published specifications, consult IMI Precision Engineering, Norgren Inc.

Through misuse, age, or malfunction, components used in fluid power systems can fail in various modes.

The system designer is warned to consider the failure modes of all component parts used in fluid power systems and to provide adequate safeguards to prevent personal injury or damage to equipment in the event of such failure.

System designers must provide a warning to end users in the system instructional manual if protection against a failure mode cannot be adequately provided.

System designers and end users are cautioned to review specific warnings found in instruction sheets packed and shipped with these products.